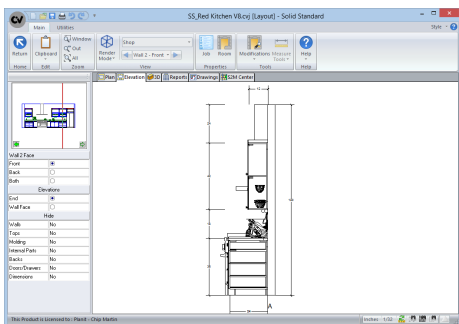
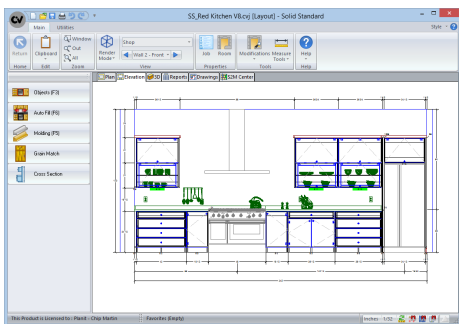


## : solid standard

### Top Reasons to Upgrade from Solid Essential

- Auto-Fill Walls and Rooms with Cabinets
  - Section Drawer Boxes
  - Elevation Cross Sections
- Cathedral and Vaulted Walls
  - Curved Walls
- Define Multiple Rooms
- 32mm And Frame Overlay Construction
  - Create Custom Moulding Profiles
  - Create New Materials
  - Batch Multiple Jobs



Solid Standard was designed with the small cabinet shop in mind. Solid Standard gives you the functionality required to take your business to the next step. Thinking about getting a low-cost Nesting CNC Router? This is the product to get you started on your path to CNC Automation.

Solid Standard is a mid-range design and manufacturing software tool that allows you to detail all your Kitchen Cabinet and/or Commercial Cabinet jobs. Solid Standard automatically generates your shop drawings, 3D renderings, material requirements, part lists and estimating data. Graphically lay out your job to quickly create your shop drawings or use the built in Order Entry function to get a quick and accurate estimate.

### All Casegood and Closet products include:

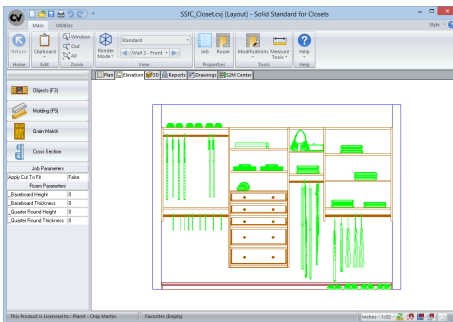
- Drawing Capabilities
- 3D Rendering
- Cutlists and Reports
- Pricing and Bidding

Ultimate	Module	Solid Standard
Advanced	Target shop	Small Residential/Commercial
Standard	S2M Capable	Yes
Essential	Info	<a href="http://cabinetvision.com/solidstandard">cabinetvision.com/solidstandard</a>

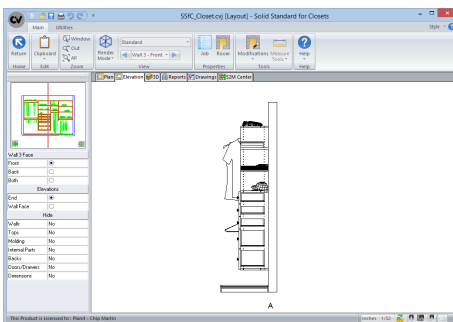
## : solid standard for Closets

### Key Features

- Closet Construction Definition
  - Hanging Section Definition
    - Shoe Cubby Definition
  - Angled Shoe Shelf Definition
    - Wire Baskets Definition
  - Elevation Cross Sections
    - Section Drawer Boxes
- Create Custom Molding Profiles
  - Create New Materials
  - Batch Multiple Jobs



Solid Standard for Closets was designed with the small closet shop in mind. Solid Standard for Closets gives you the functionality required to take your business to the next step. Thinking about getting a low-cost CNC Router? This is the product to get you started on your path to CNC Automation.



Solid Standard for Closets is a basic design and manufacturing software tool that allows you to detail basic Closet jobs. Solid Standard for Closets automatically generates your shop drawings, 3D renderings, cutlists, material requirements, part lists and estimating data. Graphically lay out your job to quickly create your shop drawings or use the built in Order Entry function to get a quick and accurate estimate. Easy to navigate ribbonbars make locating items effortless.

### All Casegood and Closet products include:

- Drawing Capabilities
- 3D Rendering
- Cutlists and Reports
- Pricing and Bidding

Ultimate	Module	Solid Standard for Closets
Advanced	Target shop	Small Residential/Commercial
Standard	S2M Capable	Yes
Essential	Info	<a href="http://cabinetvision.com/solidstandardforclosets">cabinetvision.com/solidstandardforclosets</a>